

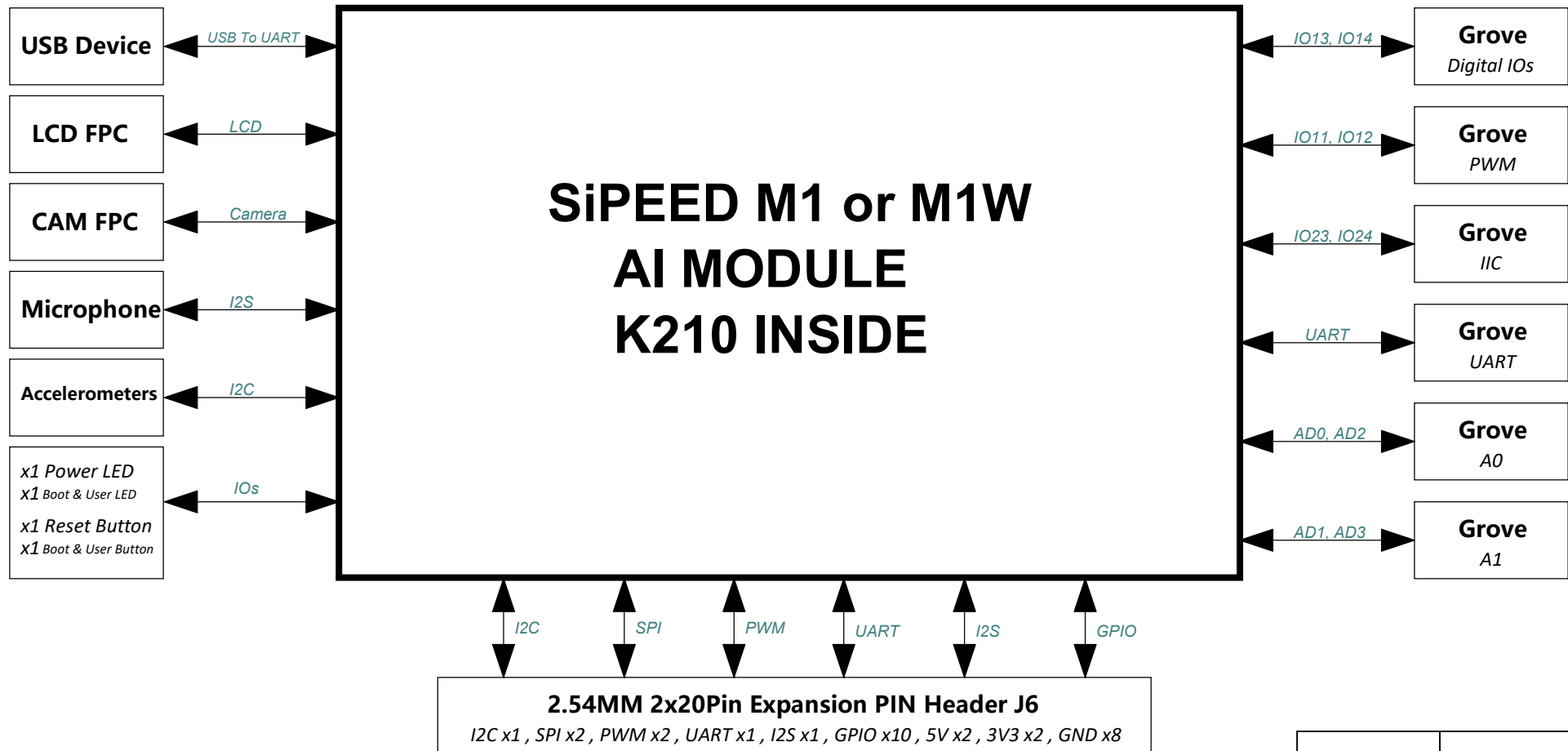
Schematic: Grove AI HAT for Edge Computing

Revision History

SHEET	SHEET NAME
01	Revision/Block Diagram
02	M1/CAM/LCD/AD/Grvoe/MIC/ACC

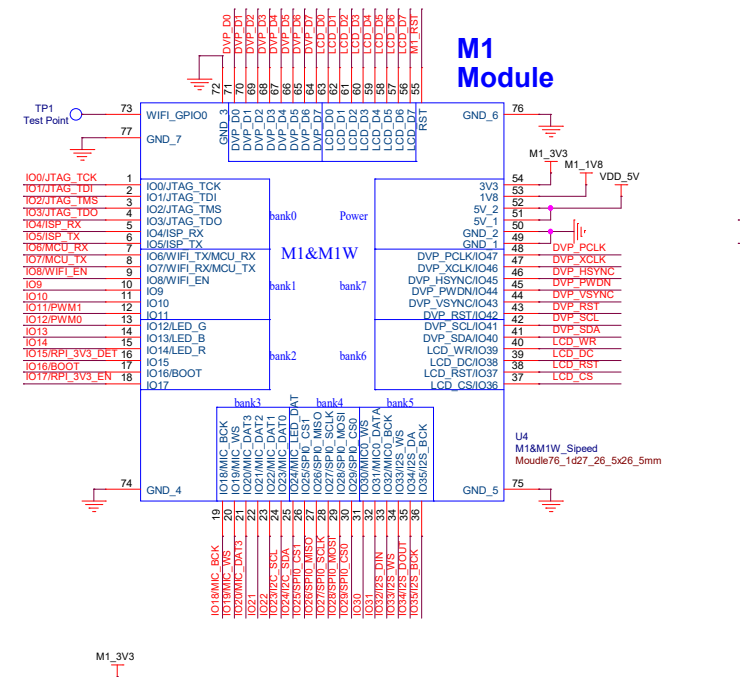
DATE	REVISION	DESCRIPTION
2019/05/14	Grove AI HAT for Edge Computing_v1.0_SCH_190514	Initial Release

Grove AI HAT for Edge Computing Block Diagram

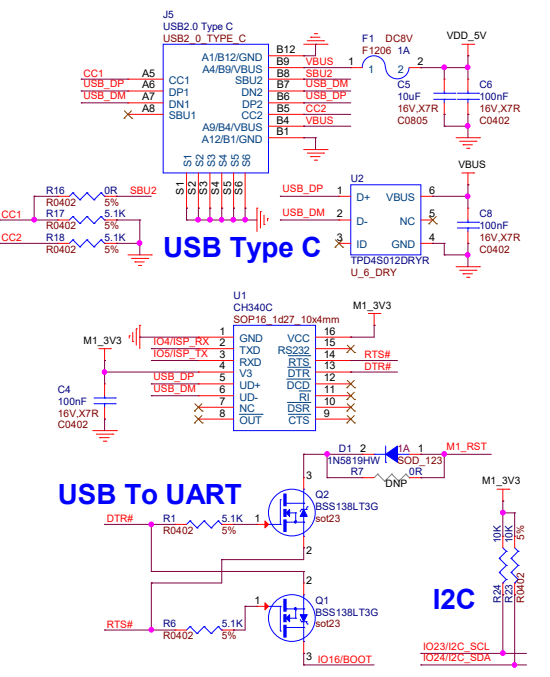


		Title: Grove AI HAT for Edge Computing	
Size: A3	Document Number: 01 Revision/Block Diagram	Rev: v1.0	
Draw By: Seed	Date: Tuesday, May 14, 2019	Sheet: 1 of 2	

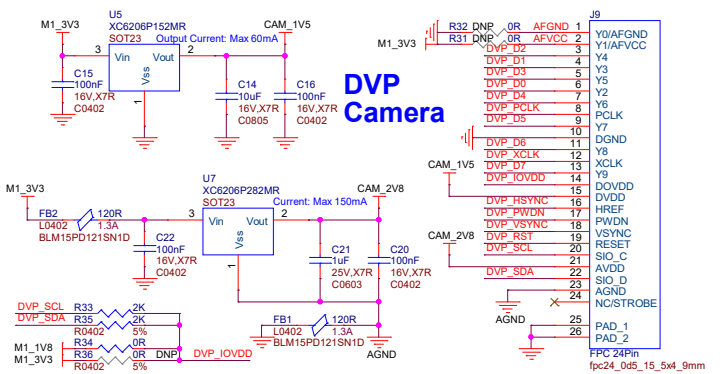
M1 Module



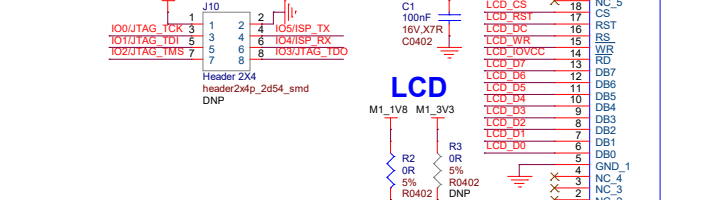
USB Type C



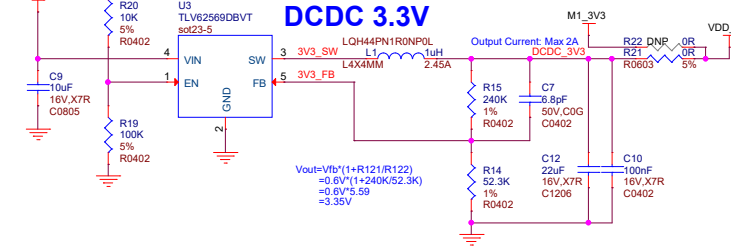
DVP Camera



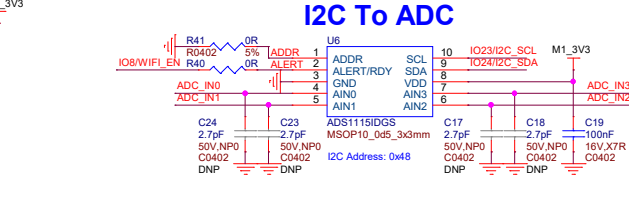
JTAG & ISP_UART



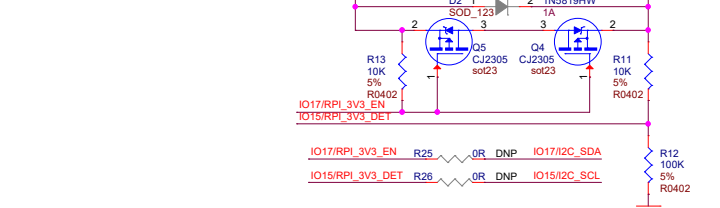
DCDC 3.3V



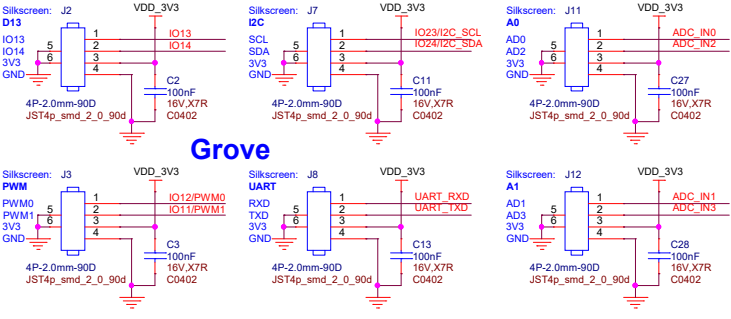
I2C To ADC



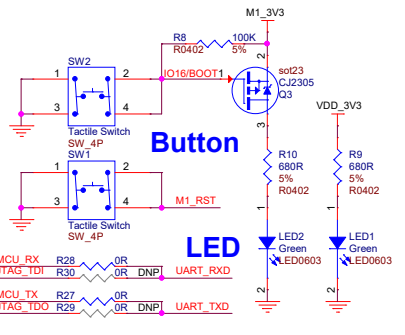
Toggle Switch



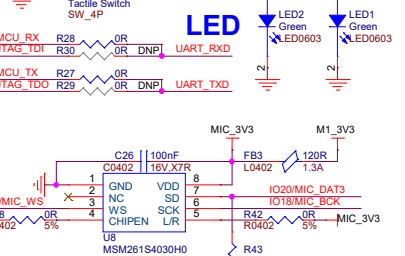
Grove



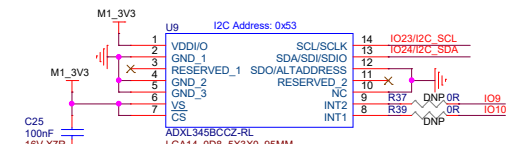
Button



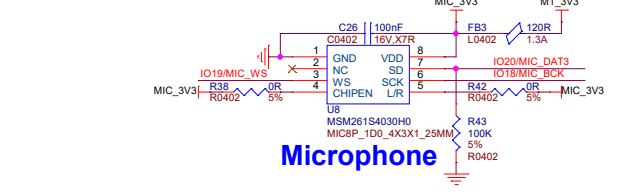
LED



Accelerometers Sensor



Microphone



RPI Header

