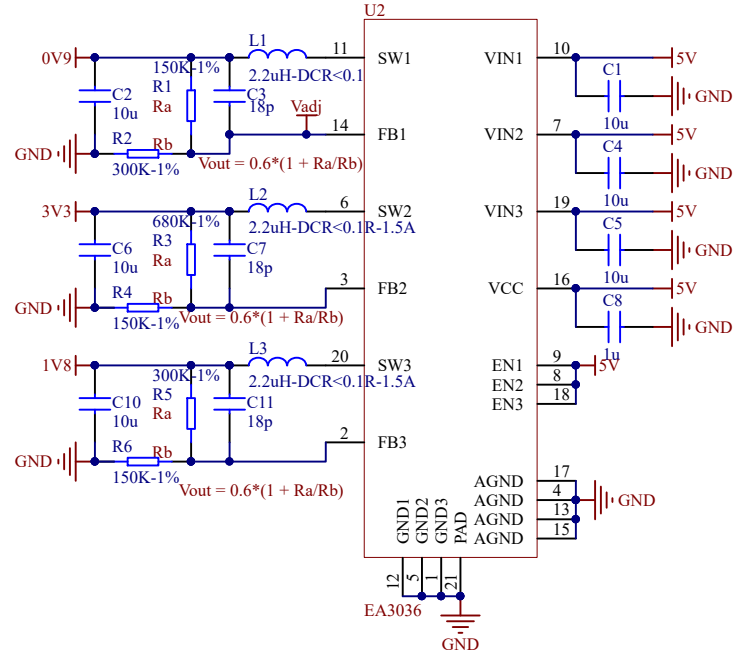
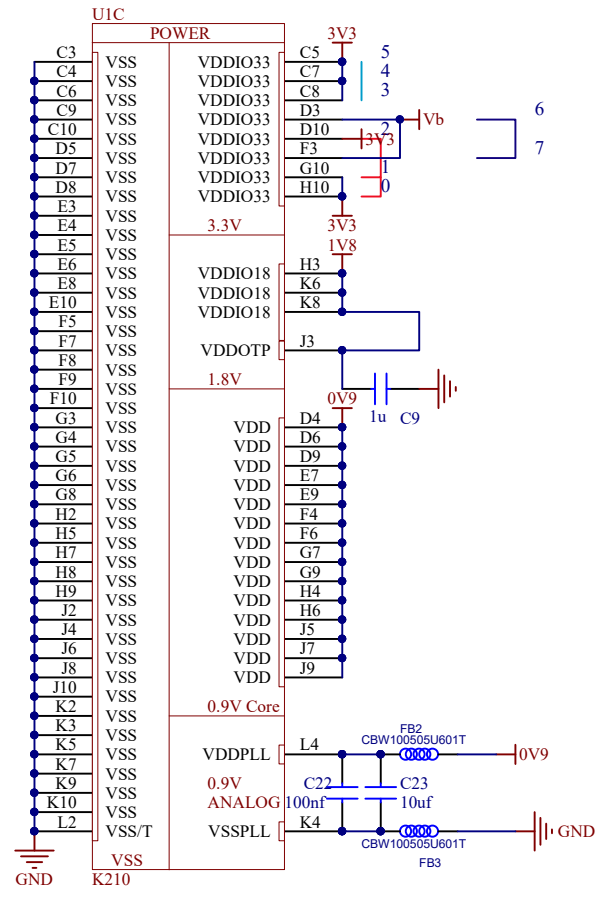
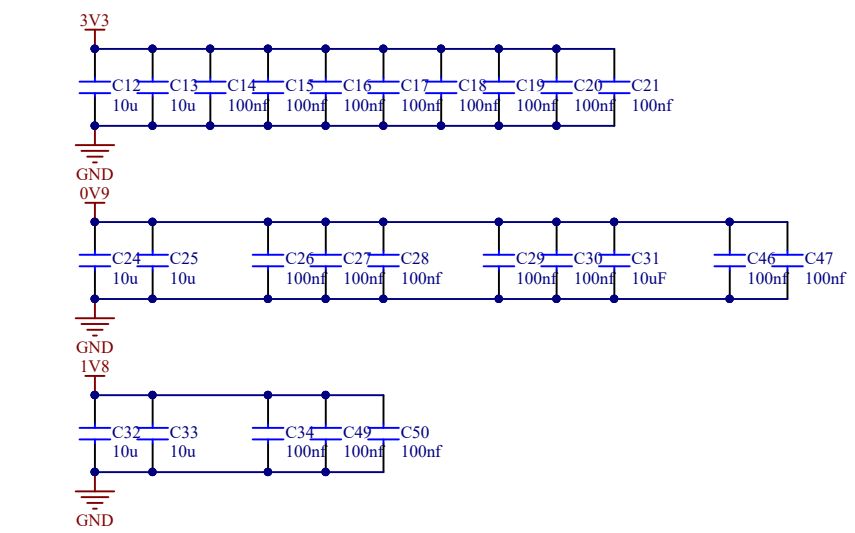
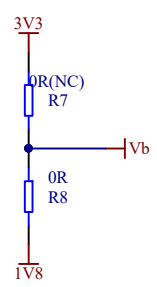


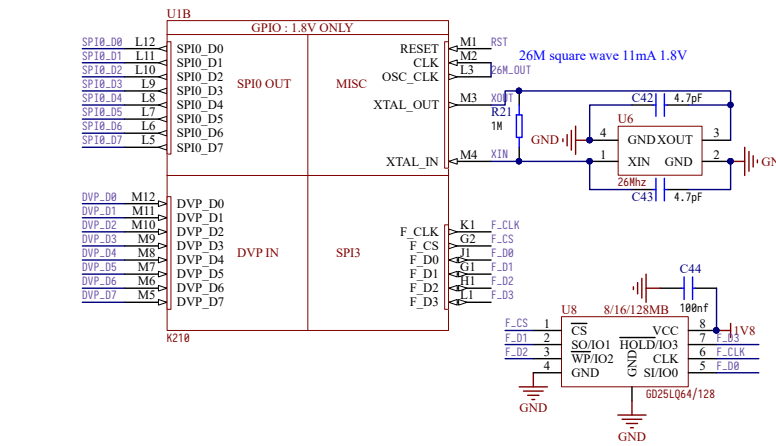
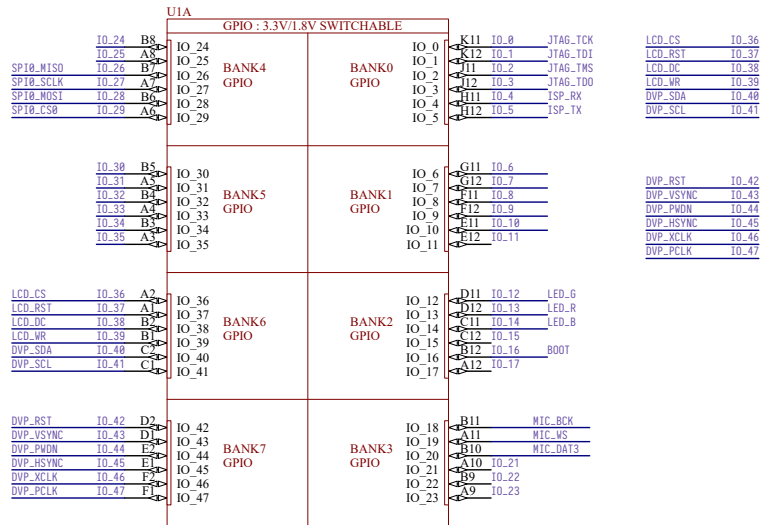
DCDC&LDO



Select bank 6,7 Voltage



Core System



Note:
 BOOT(IO16) pull low to enter ISP mode, download from IO4,5
 SPI3 Support XIP SPI0/1/3 for Master SPI2 for slave
 3.3V IO speed 80M, 1.8V IO speed 208M. Simple test PWM is faster than 300MHz.

