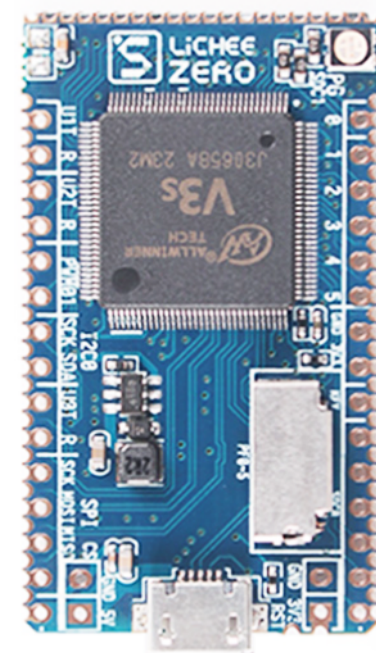


Stamp hole only	Dip hole and Stamp hole	U8
LCD_DE	UART1_TX	1
LCD_CLK	UART1_RX	2
MCS1_MCLK	UART2_TX	3
UART2_RTS/PB2	UART2_RX	4
UART2_CTS/PB3	PWM0/PB4	5
1V2	PWM1/PB5	6
1V8	TWIO_SCK	7
3V3	TWIO_SDA	8
MCS1_D0_P	TW11_SCK0	9
MCS1_D0_N	TW11_SDA0	10
MCS1_D1_P	SPI_SCK	11
MCS1_D1_N	SPI_MOSI	12
MCS1_CK_P	SPI_MISO	13
MCS1_CK_N	SPI_CS	14
GND	5V	15

Conn_01x30

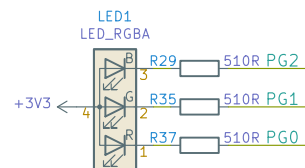
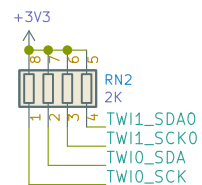
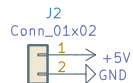
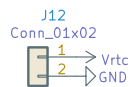
20	LCD_HSYNC
19	LCD_VSYNC
18	LCD_D10
17	LCD_D11
16	LCD_D12
15	LCD_D13
14	LCD_D14
13	LCD_D15
12	LCD_D2
11	LCD_D3
10	LCD_D4
9	LCD_D5
8	LCD_D6
7	LCD_D7
6	LCD_D16
5	LCD_D19
4	LCD_D20
3	LCD_D21
2	LCD_D22
1	LCD_D23



Dip hole and Stamp hole	Stamp hole only
1	HP_COM
2	SDC1_CLK PG0
3	HP_COMFB
4	SDC1_CMD PG1
5	HP_L
6	SDC1_D0 PG2
7	HP_R
8	SDC1_D1
9	HBIAS
10	SDC1_D2
11	MIC_N
12	SDC1_D3
13	MIC_P
14	GND
15	USB_P
16	3V3
17	USB_N
18	KEYADC0
19	USB_ID
20	SDC0_D1
21	ETH_TX_P
22	SDC0_D0
23	ETH_TX_N
24	SDC0_CLK
25	ETH_RX_P
26	SDC0_CMD
27	ETH_RX_N
28	SDC0_D3
29	3V0
30	SDC0_D2

Conn_01x30

MCS1_MCLK PE20
 TWI1_SCK1 UART1_TX PE21
 TWI1_SDA1 UART1_RX PE22



Sheet: /
 File: zero_IF-SchDoc.sch

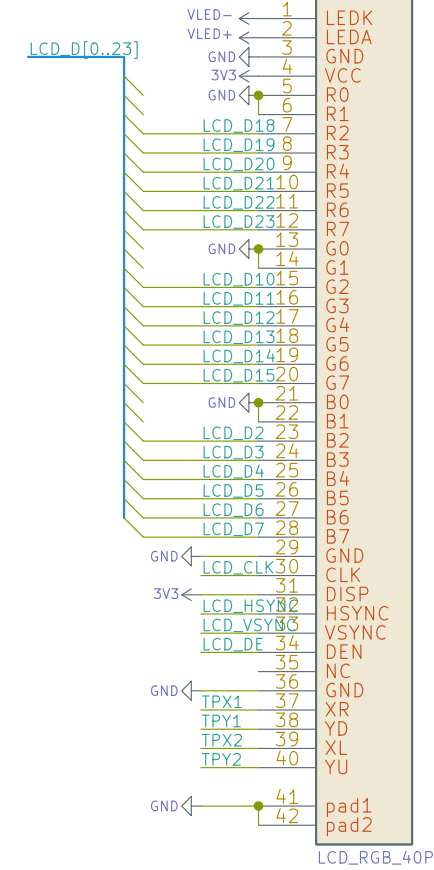
Title: zero_IF-SchDoc

Size: A4 Date: 10 09 2021

KiCad E.D.A. kicad (5.1.6)-1

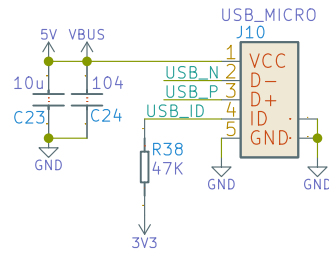
Rev:
 Id: 1/1

Common 40P LCD

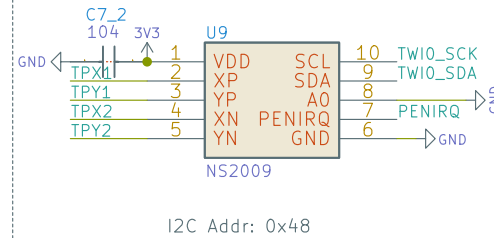


Can be converted to VGA/LVDS/HDMI/IO

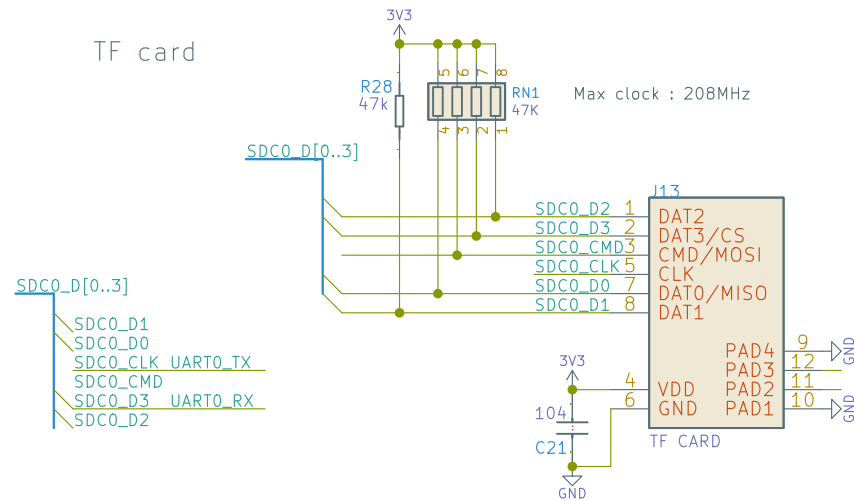
USB OTG



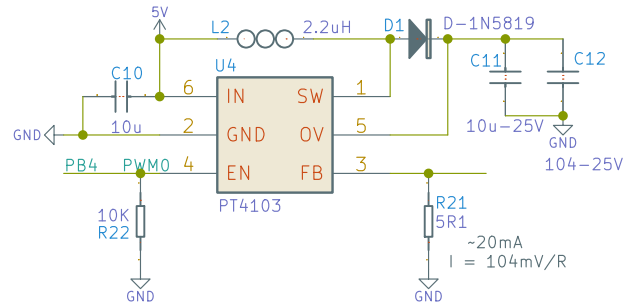
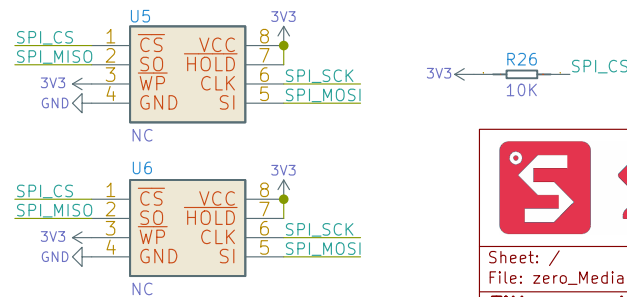
Touch Screen



TF card



Onboard flash storage



The PWM dimming frequency needs to be lower than 1kHz

LCD backlight driving circuit



Sheet: /
File: zero_Media.SchDoc.sch

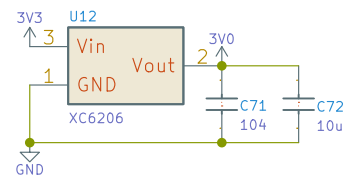
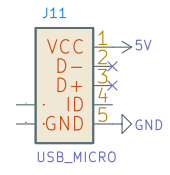
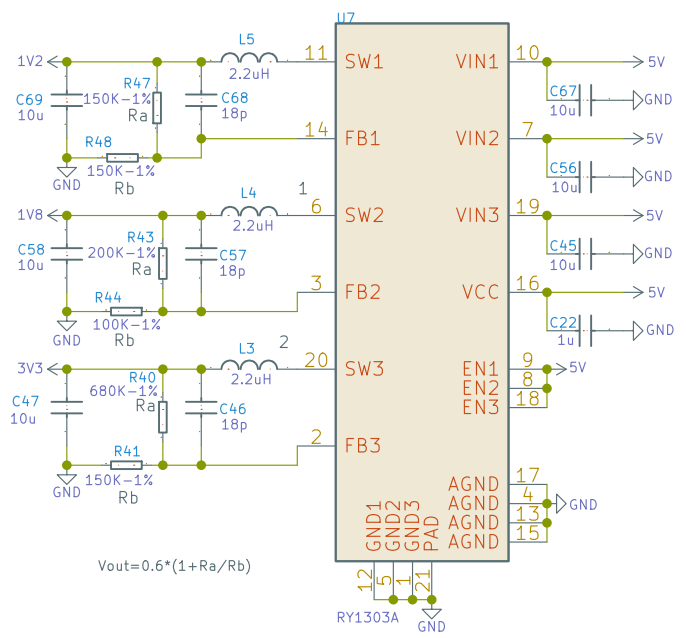
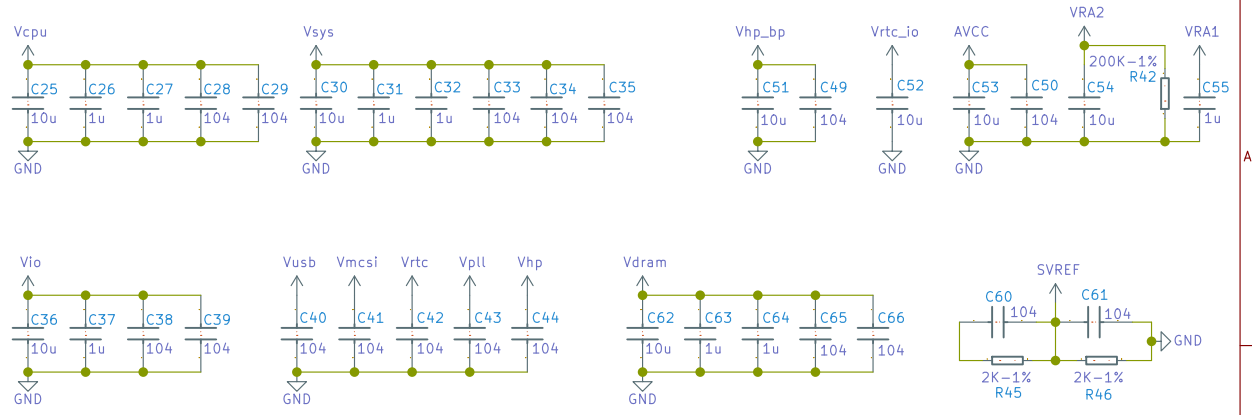
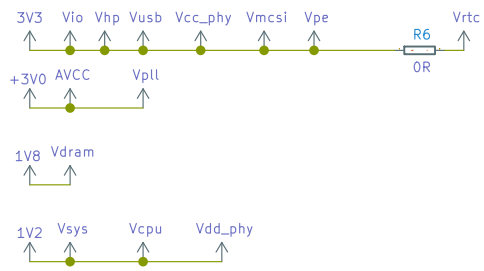
Title: zero_Media.SchDoc

Size: A4 Date: 27 09 2021

KiCad E.D.A. kicad (5.1.6)-1

Rev:

Id: 1/1



DCDC&LDO



Sheet: /	
File: zero_Power-SchDoc.sch	
Title: zero_Power-SchDoc	
Size: A4	Date: 10 09 2021
KiCad E.D.A. kicad (5.1.6)-1	Rev: Id: 1/1