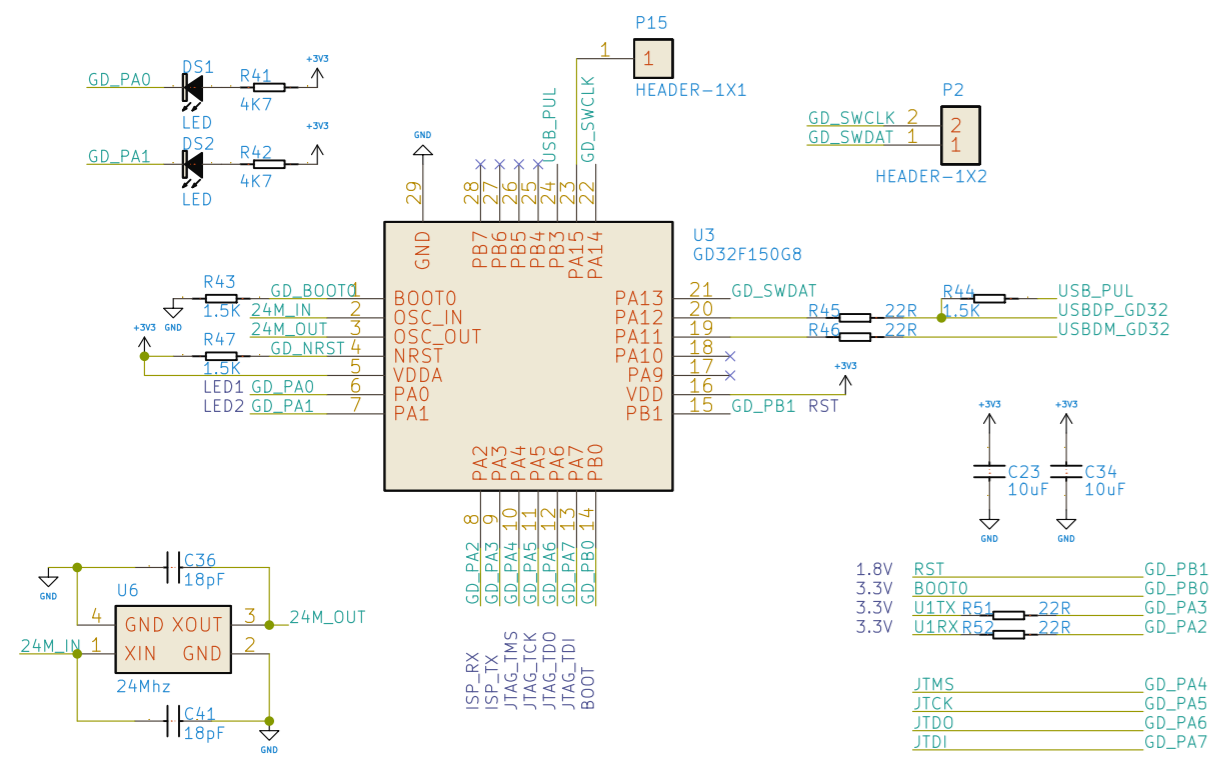
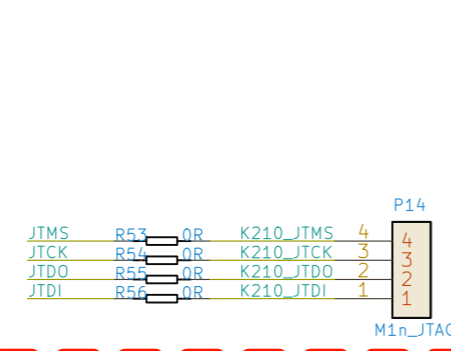


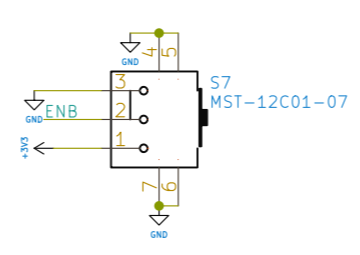
ISP DOWNLOAD



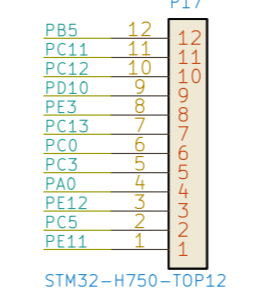
For M1n JTAG



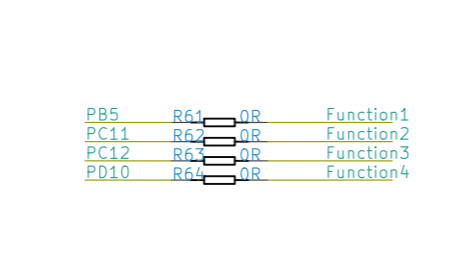
M1n



STM32

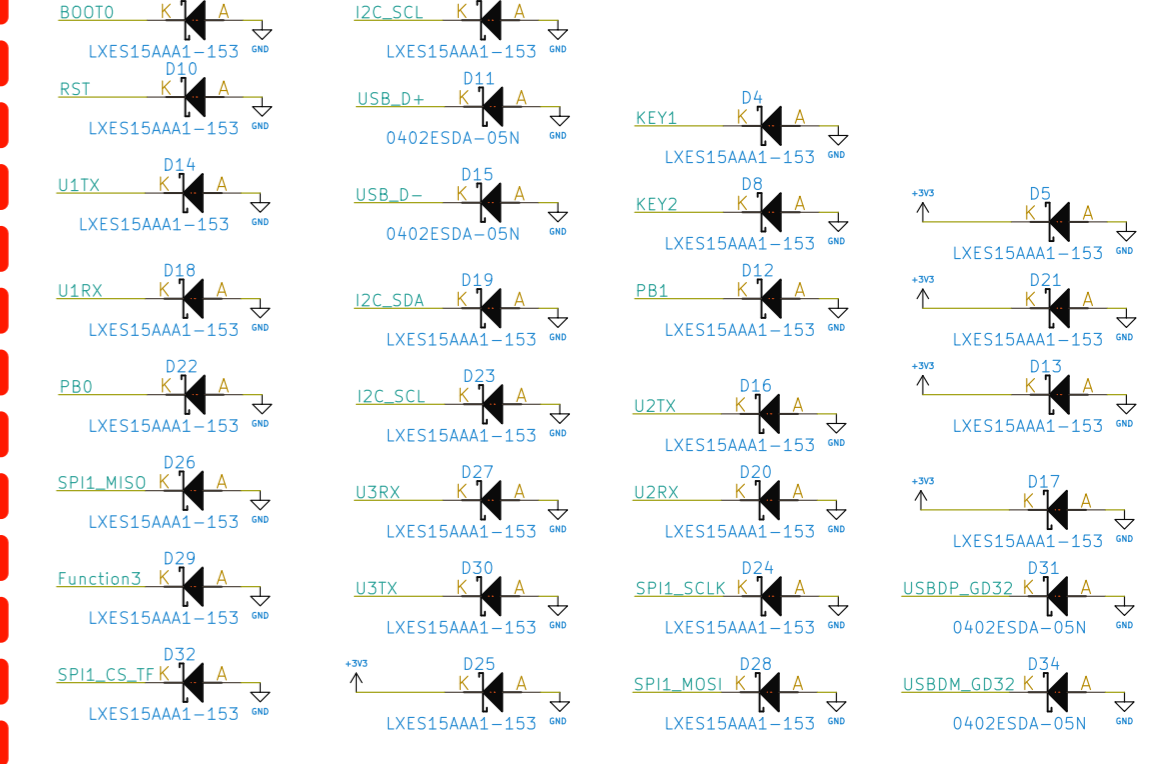


For STM32-H750

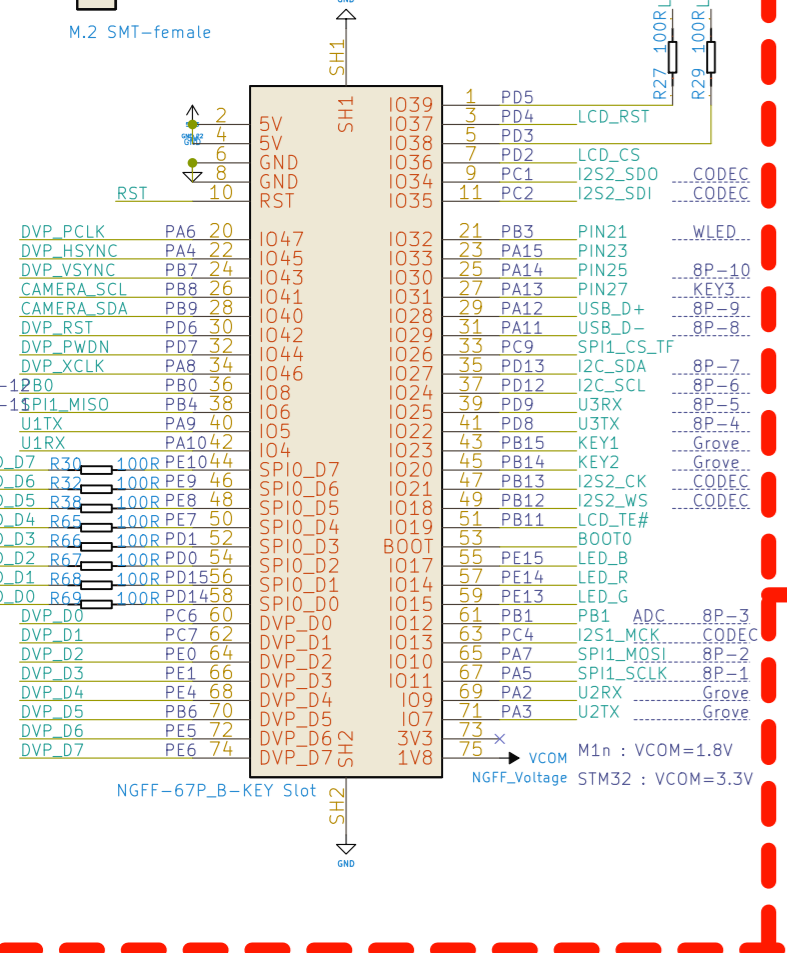


ENB=1 : A1 Connected to B
ENB=0 : A2 Connected to B

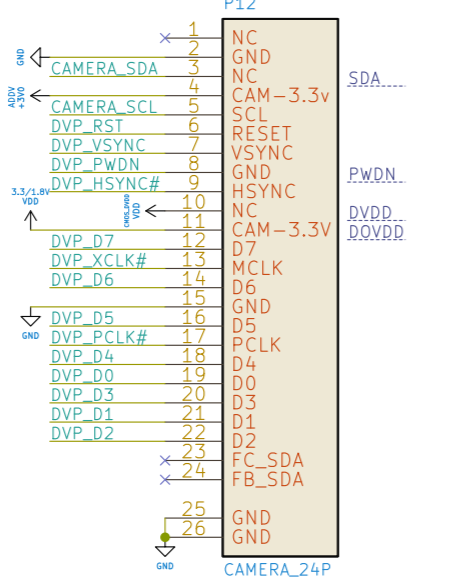
ESD



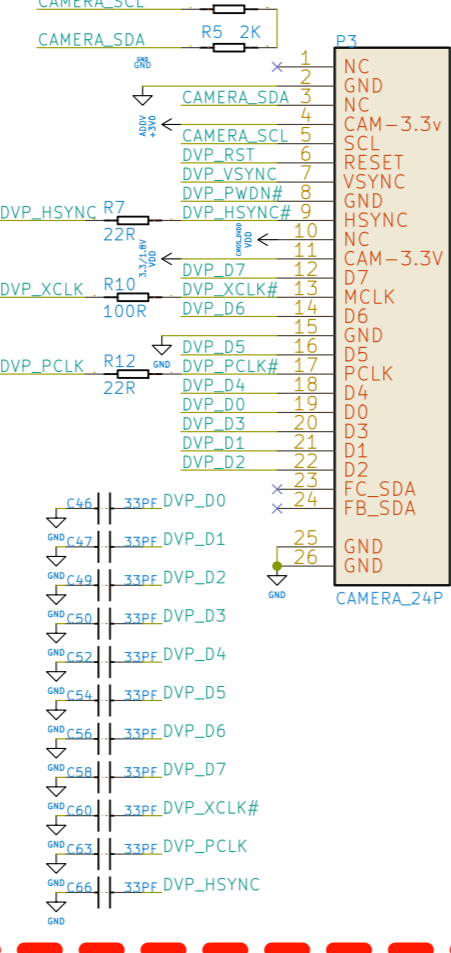
M.2 Connector



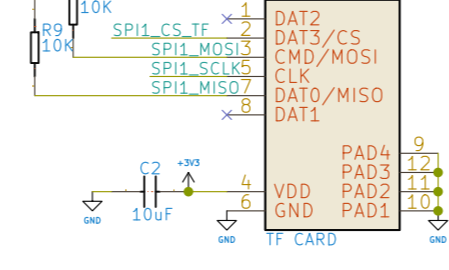
Camera



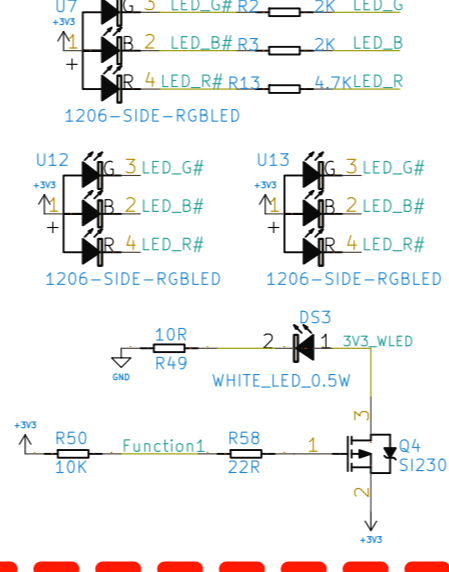
Camera



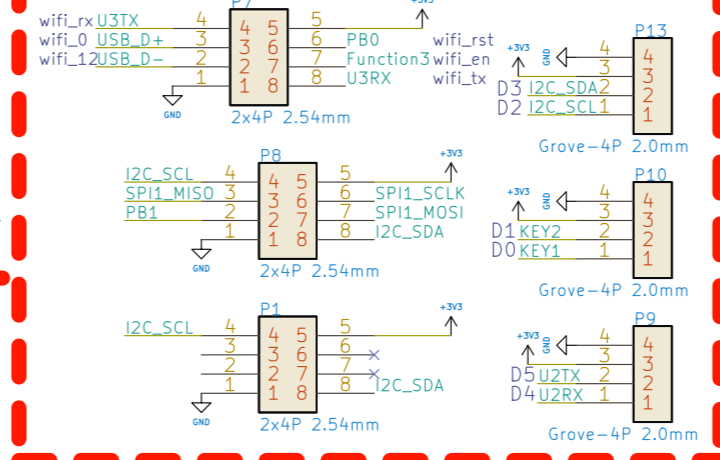
TF Card



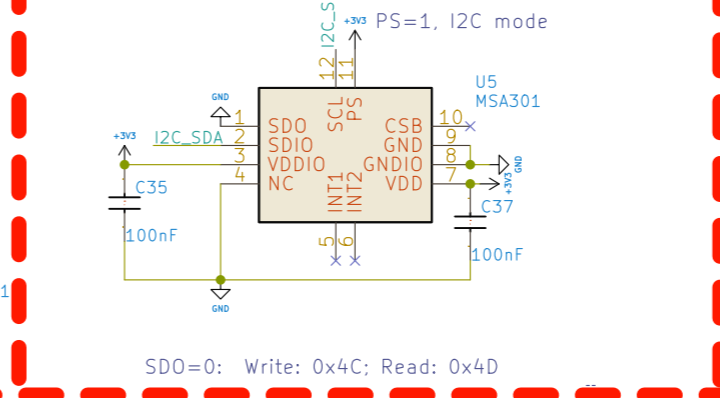
RGB LED



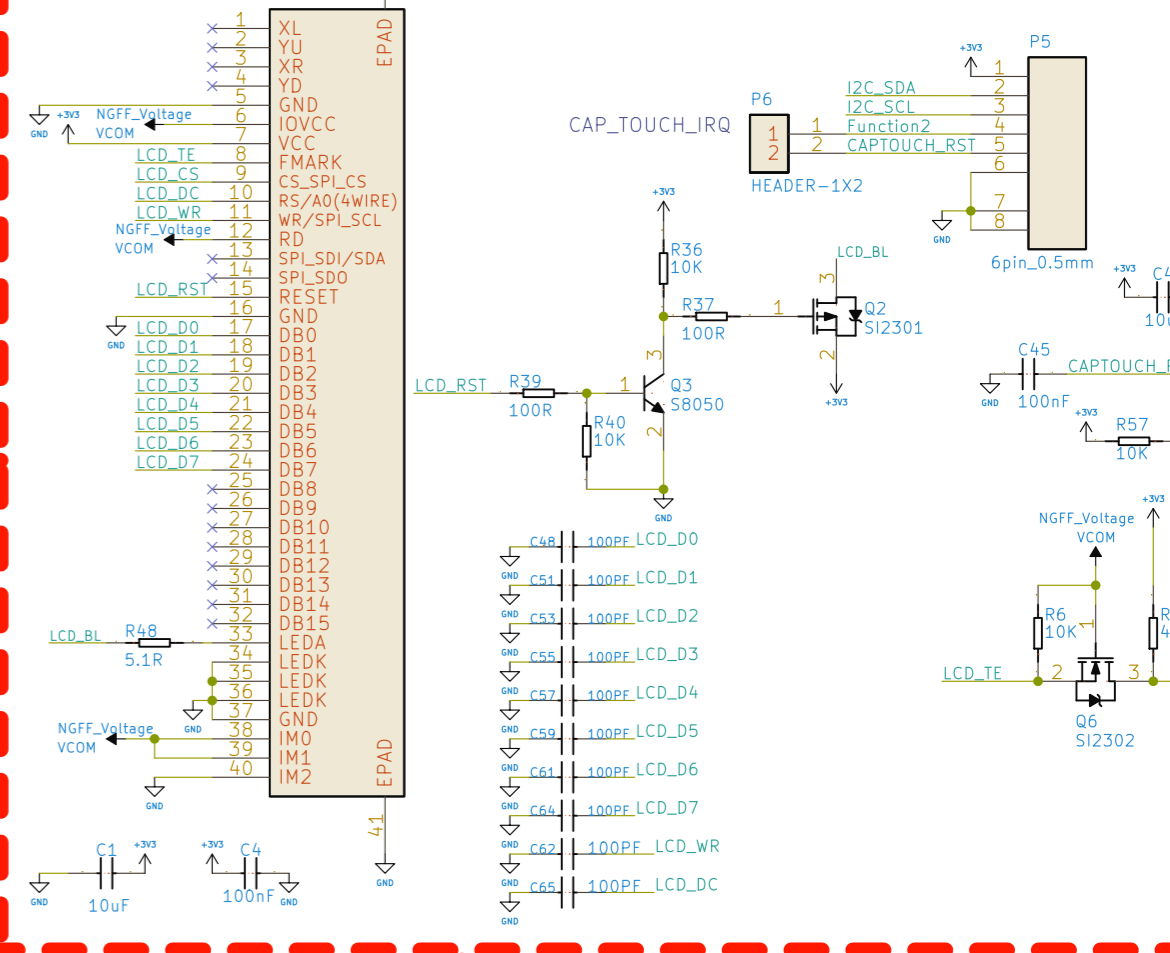
Connector



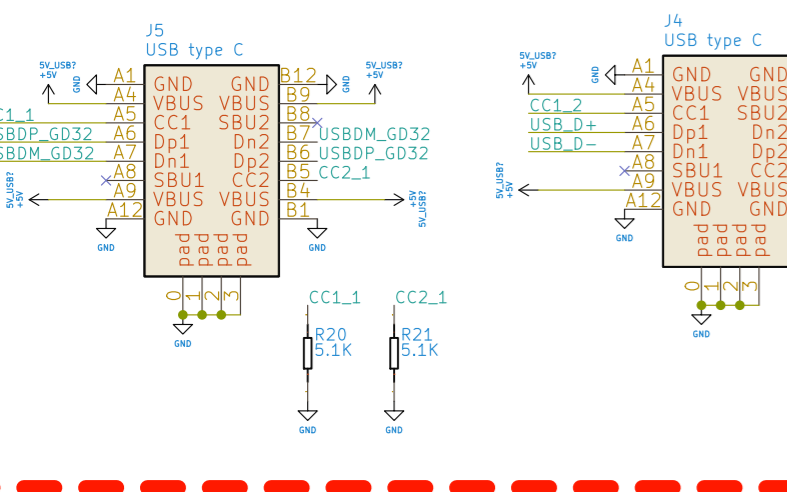
Acc sensor



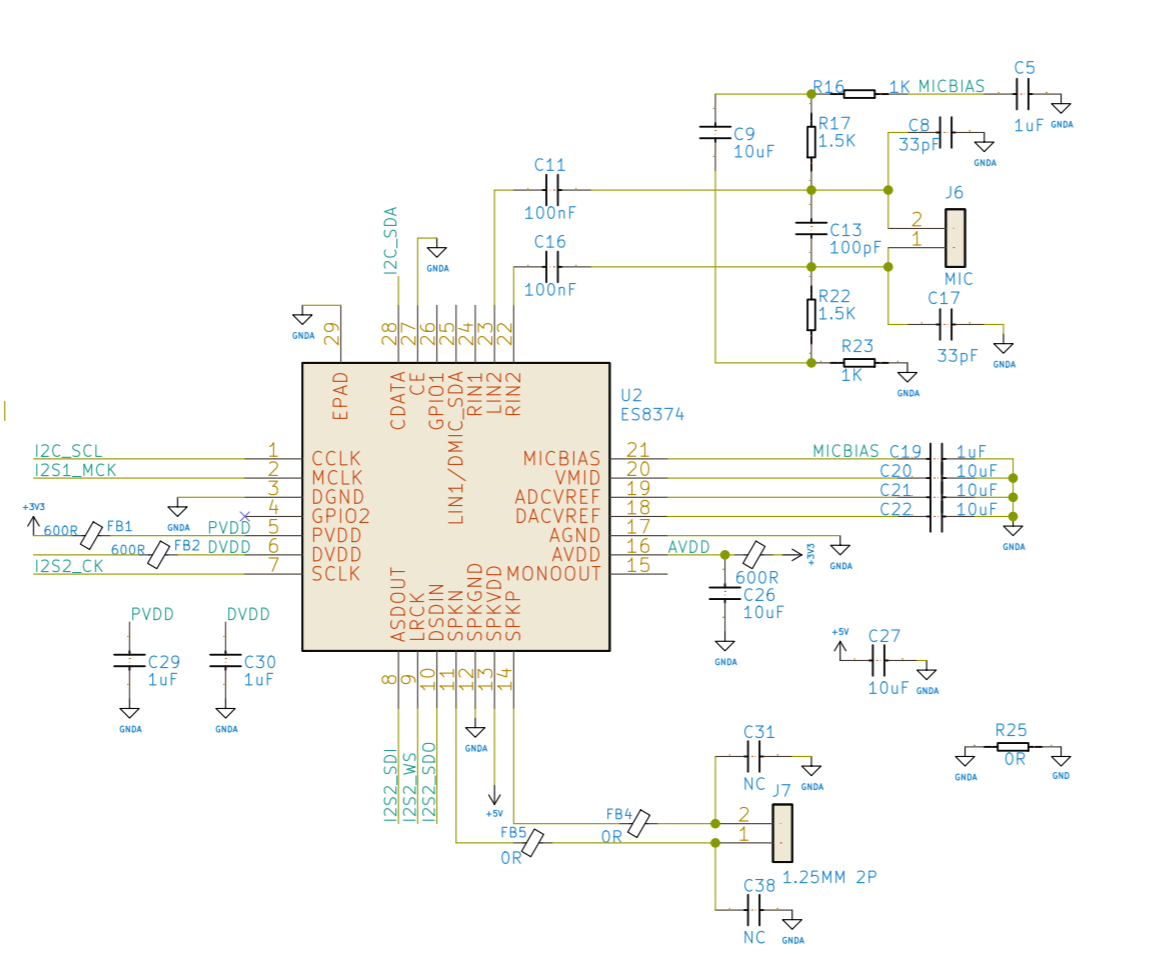
LCD & CAP_TOUCH



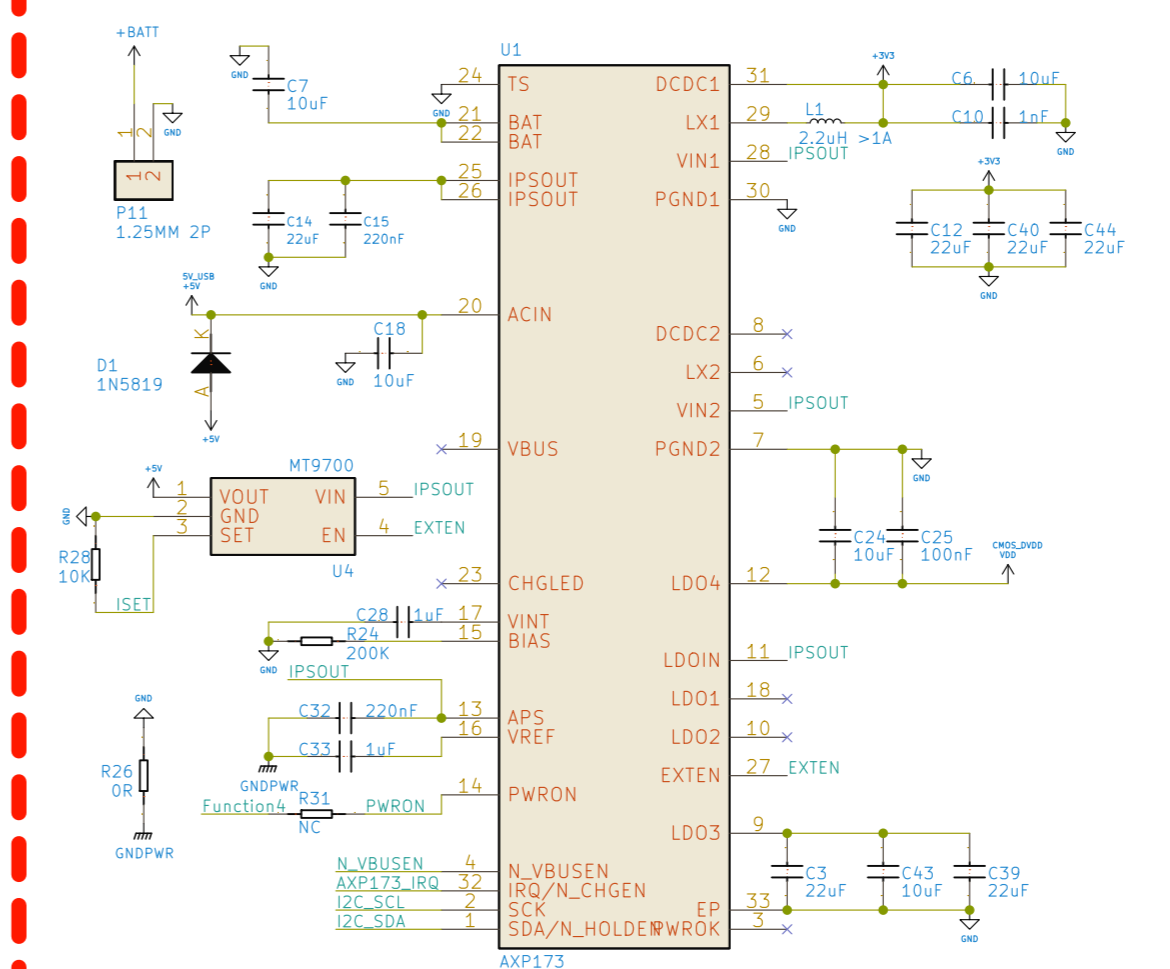
USB Port



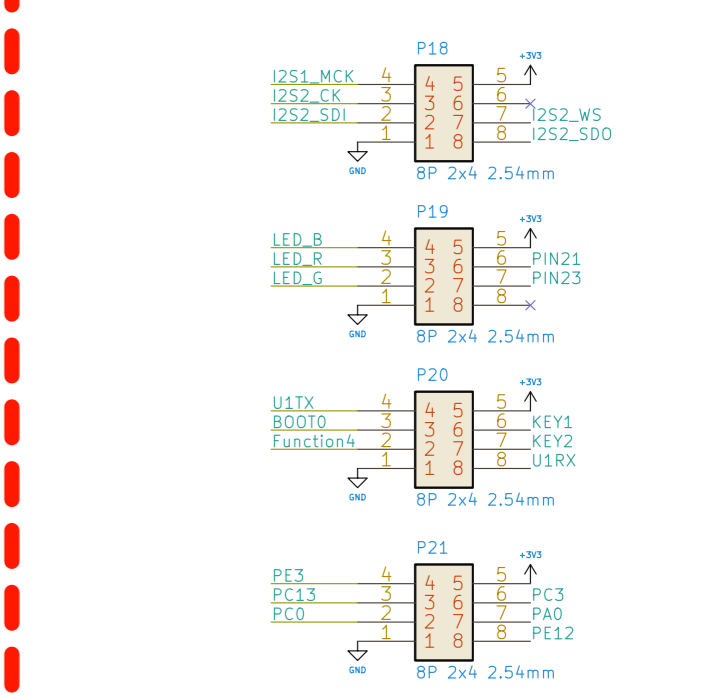
Audio Codec



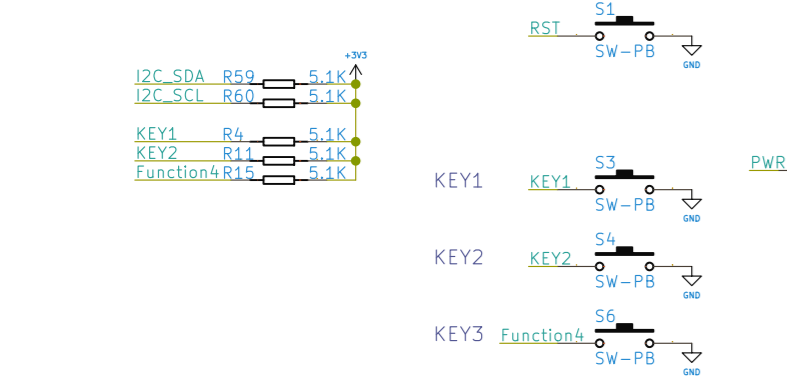
Power IC



Reserved Pads



KEY



PWRON

