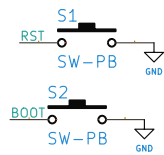
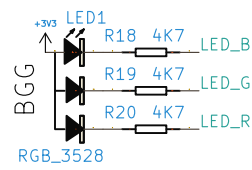


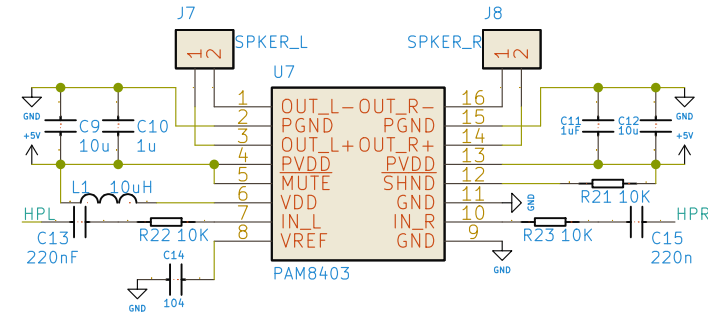
### KEY



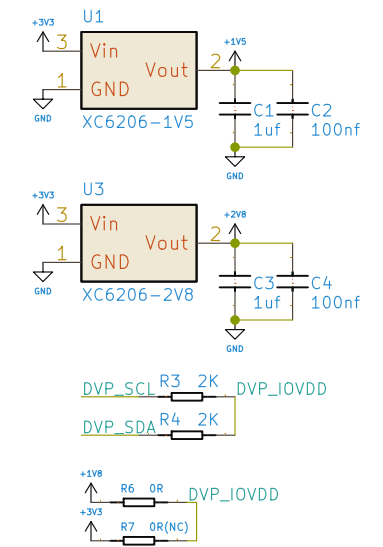
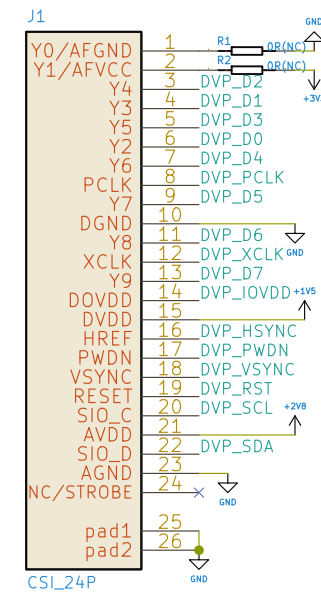
### RGB LED



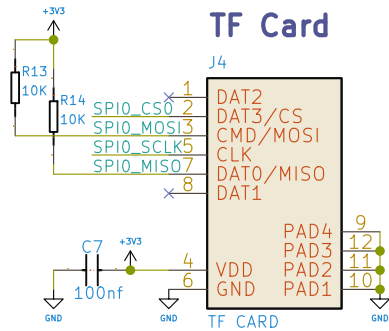
### Speaker



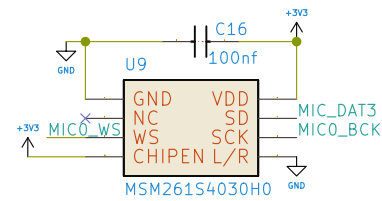
### DVP Camera



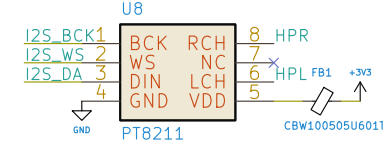
### TF Card



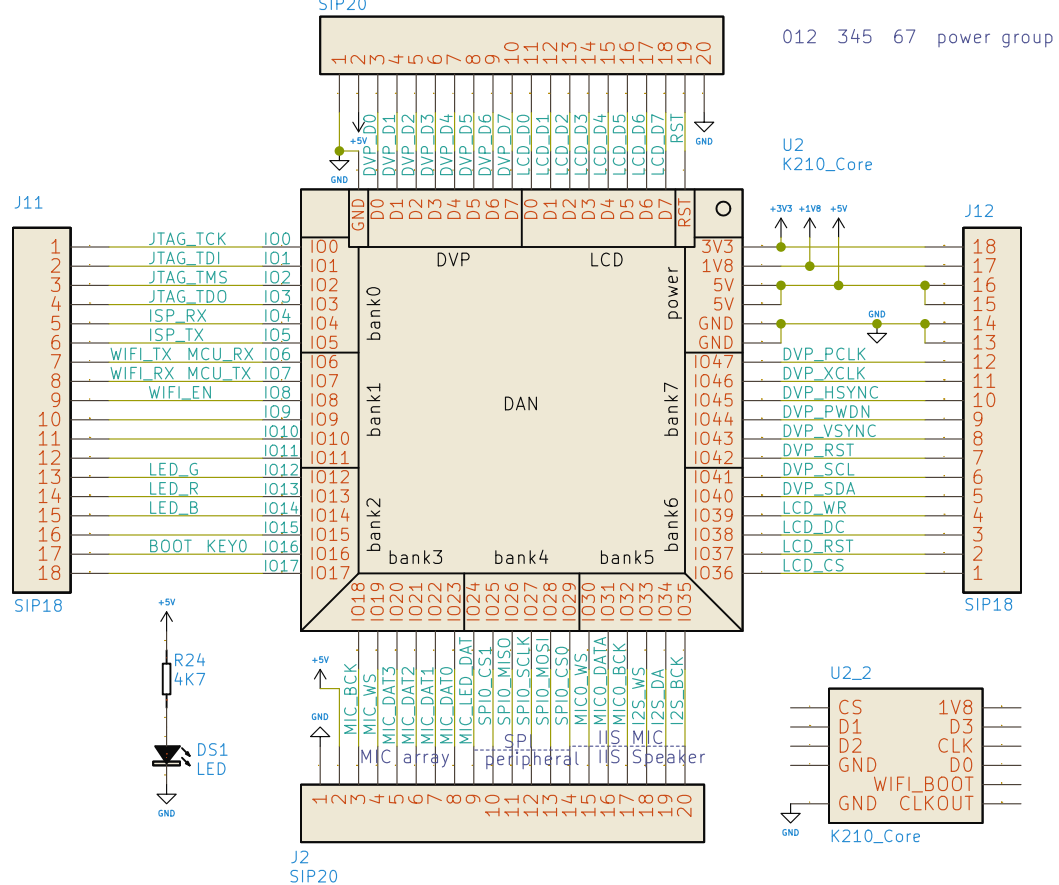
### MIC



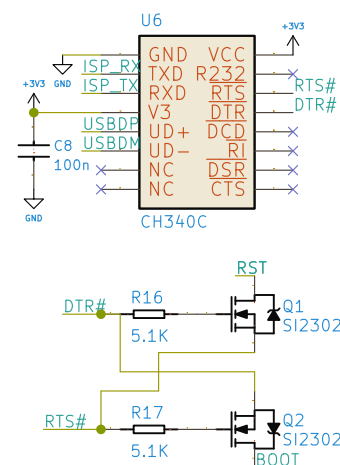
### DAC



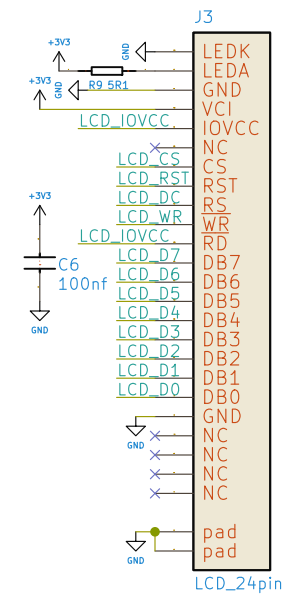
### Core Board



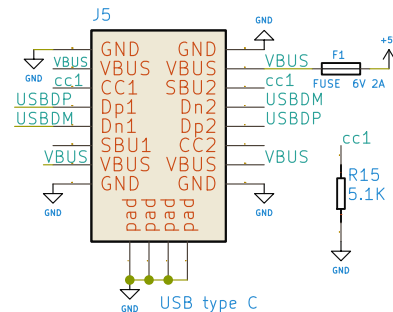
### ISP DOWNLOAD



### 8bit MCU LCD



### USB Port



Open-source hardware with MaixPy, A.I. at edge.  
**Shenzhen Sipeed Technology Co. Ltd.**  
 Sheet: /  
 File: K210\_dock.sch

**Title: Maix Dock\_11.27(Schematic)**

Size: B Date: 2018-11-27  
 KiCad E.D.A. eeschema (5.1.6)-1

Rev: 1.22  
 Id: 1/1