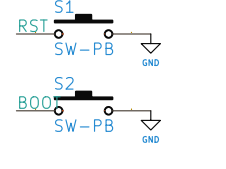
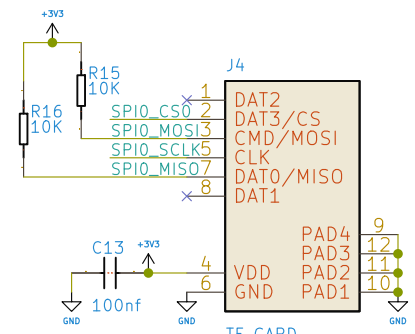


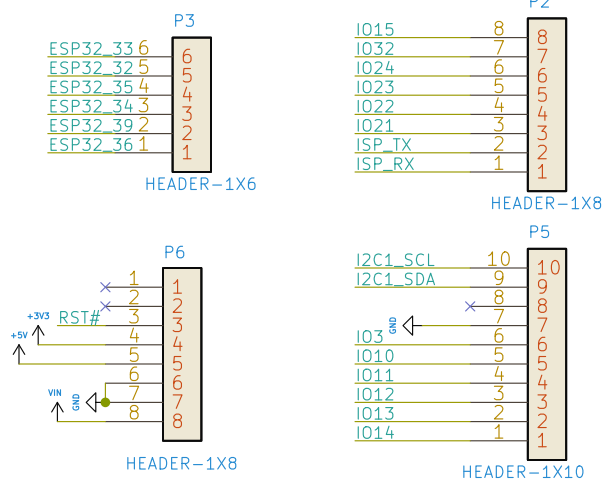
### KEY



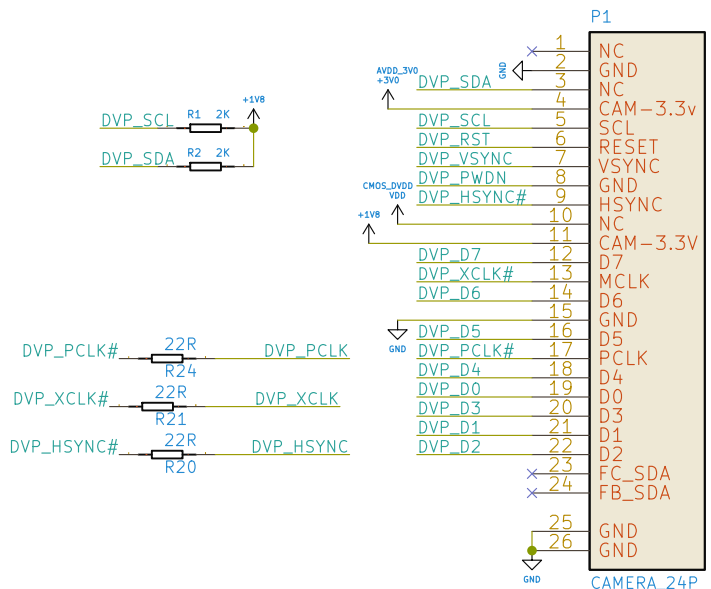
### TF Card



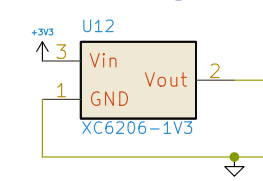
### Connector



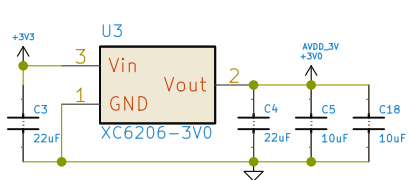
### Camera



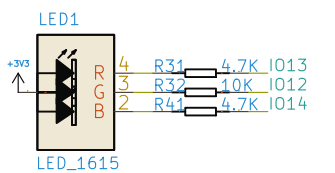
### Camera\_Digital\_Power



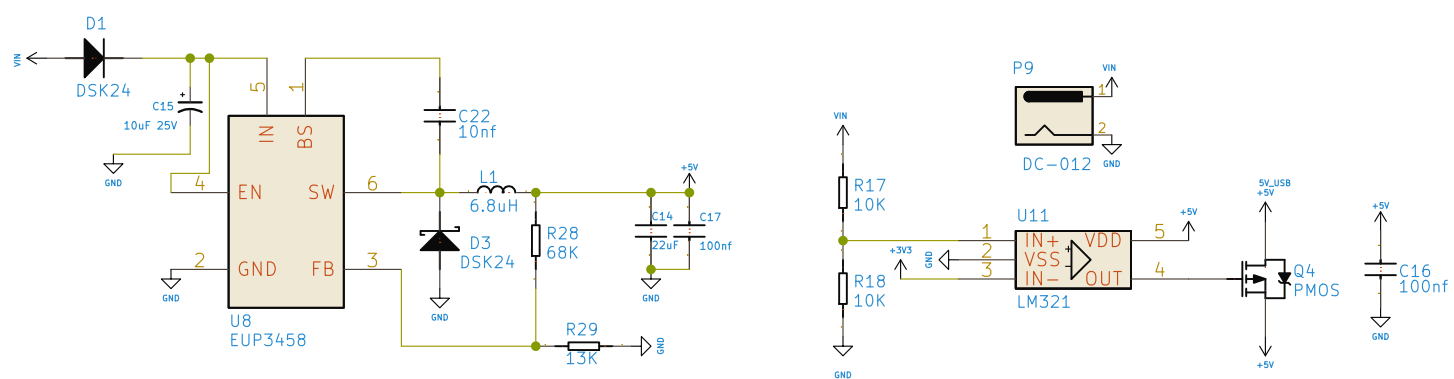
### Camera\_Analog\_Power



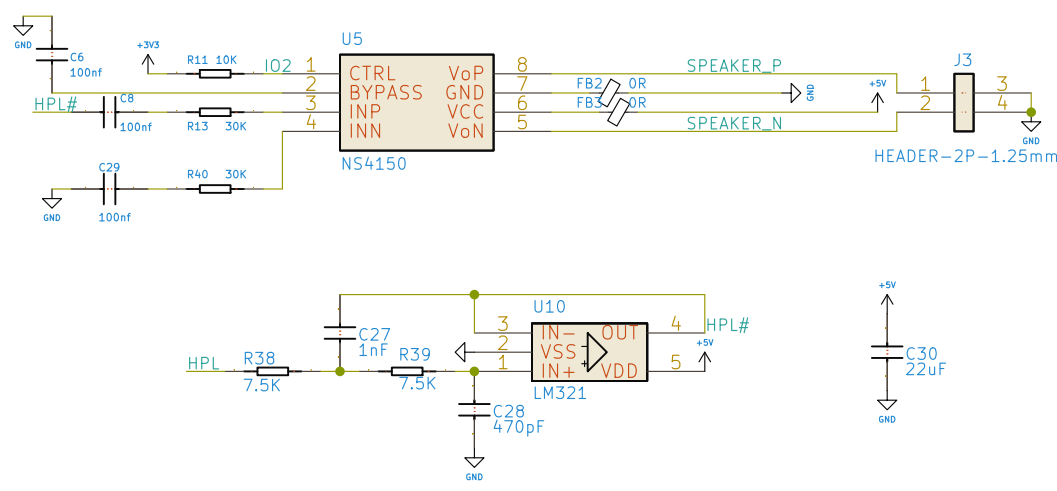
### RGB LED



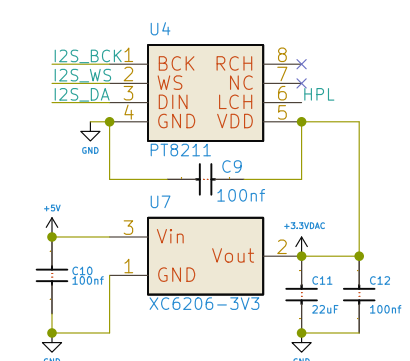
### DC-DC



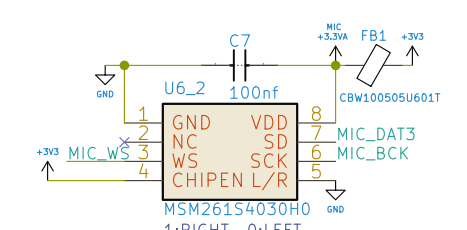
### AUDIO-PA



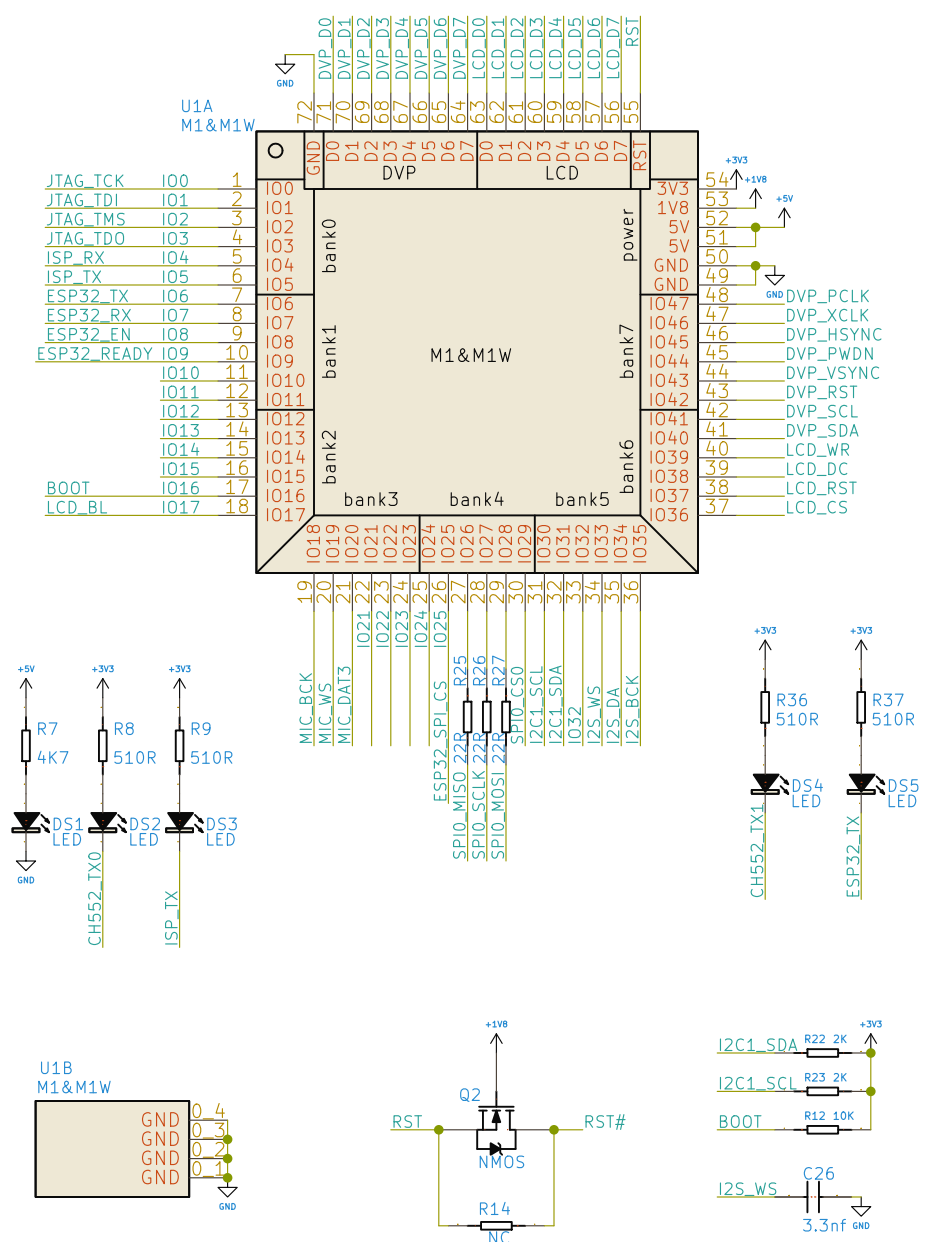
### DAC



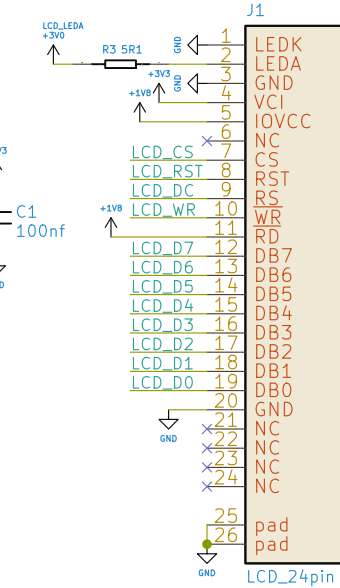
### MEMS Microphone



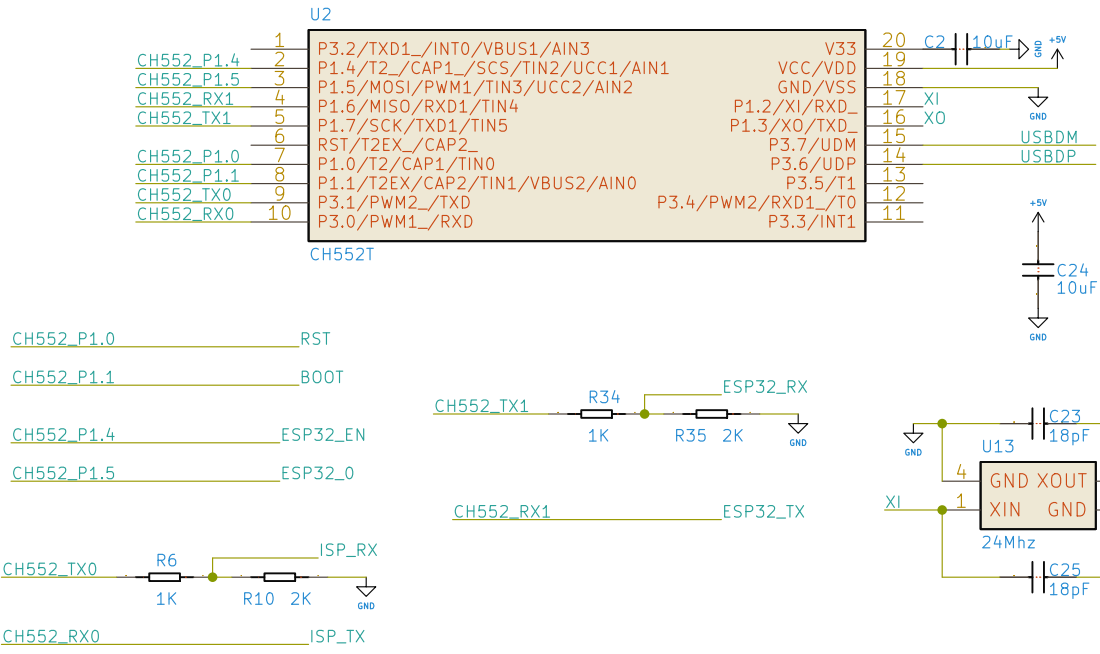
### Core Board



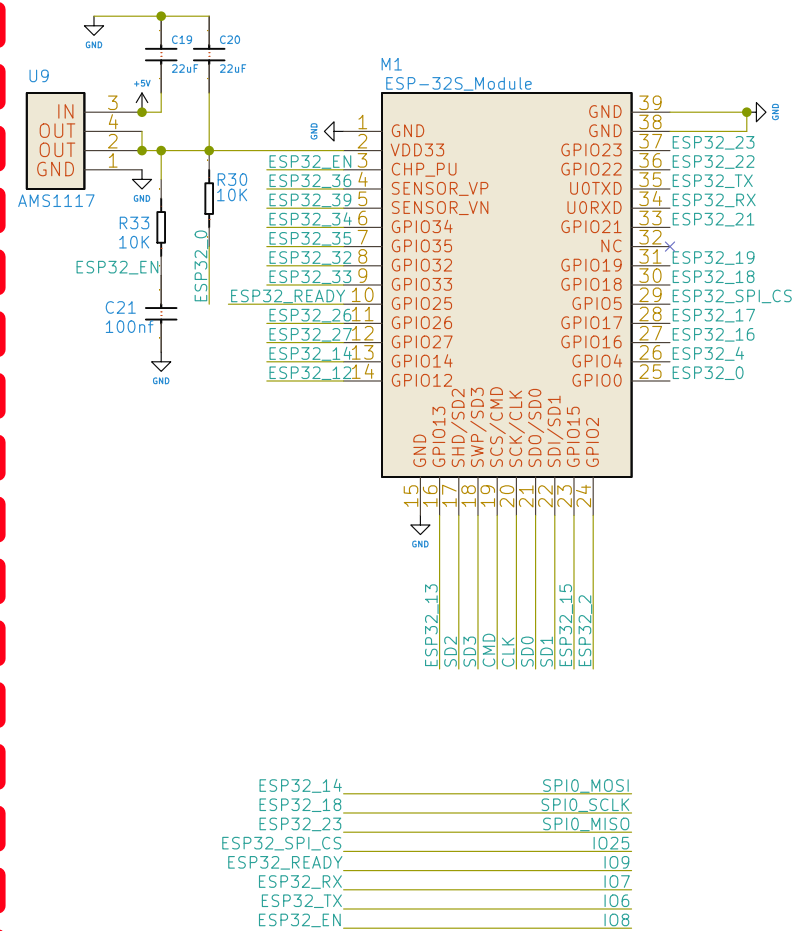
### 8bit MCU LCD



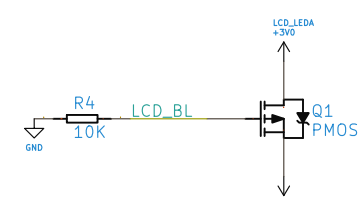
### ISP DOWNLOAD



### ESP32-WROOM-32



### LCD\_Backlight



### USB Port

