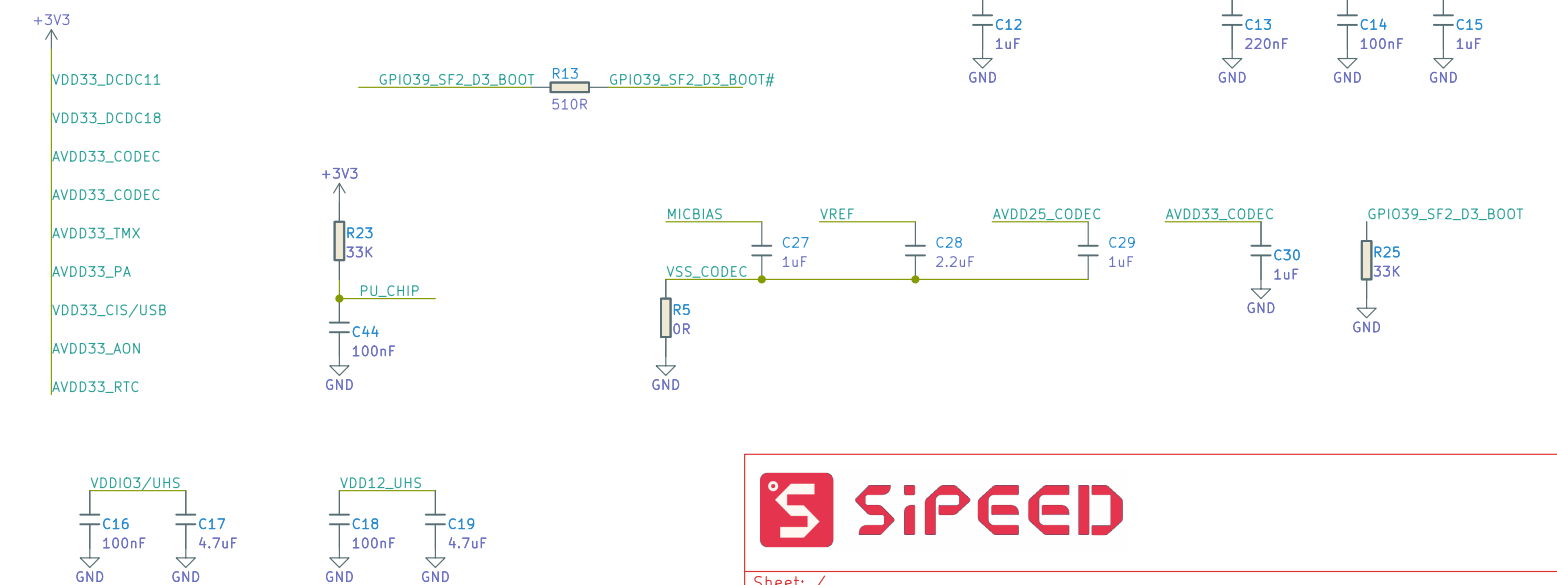
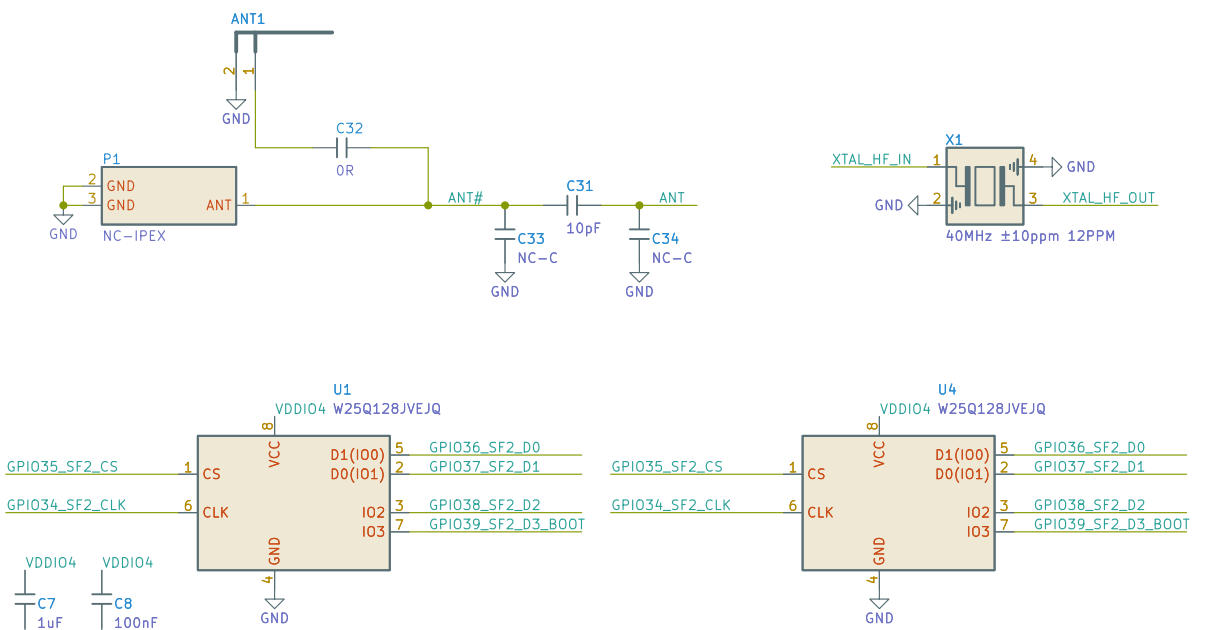
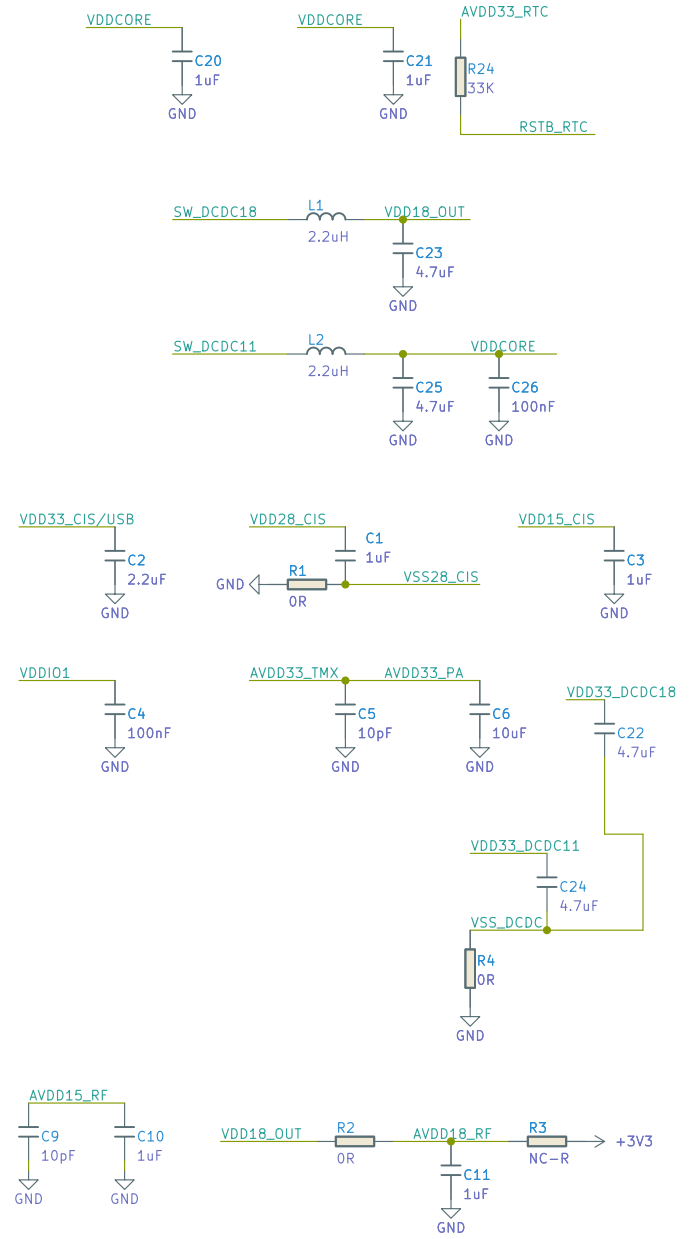
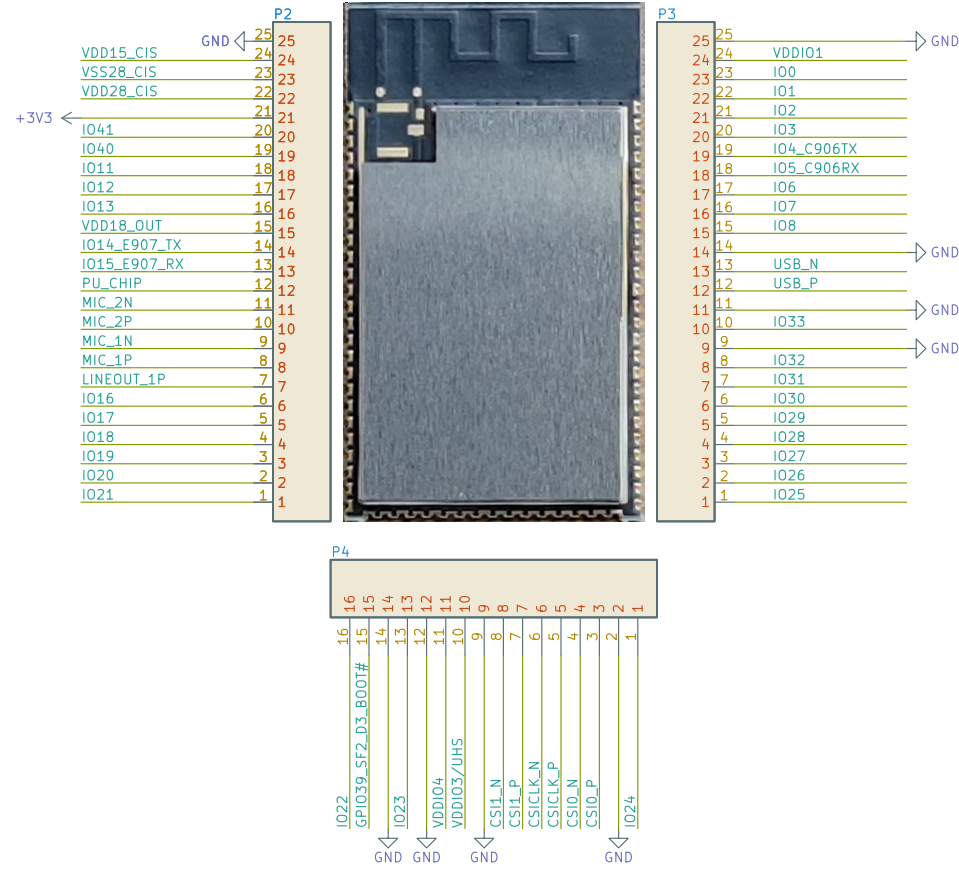


VDDIO1 : GPIO0-8 , 1.8V/3.3V
VDDIO2 : GPIO 11-15 , GPIO 40-41 3.3V only
VDDIO3 : GPIO 16-23 , 1.8V/3.3V
VDDIO4 : GPIO 24-39 , 1.8V/3.3V



SIPEED

Sheet: /
 File: M1s_3261.kicad_sch
Title:
 Size: A3 Date:
 KiCad E.D.A. kicad (6.0.8) Id: 1/1 Rev: