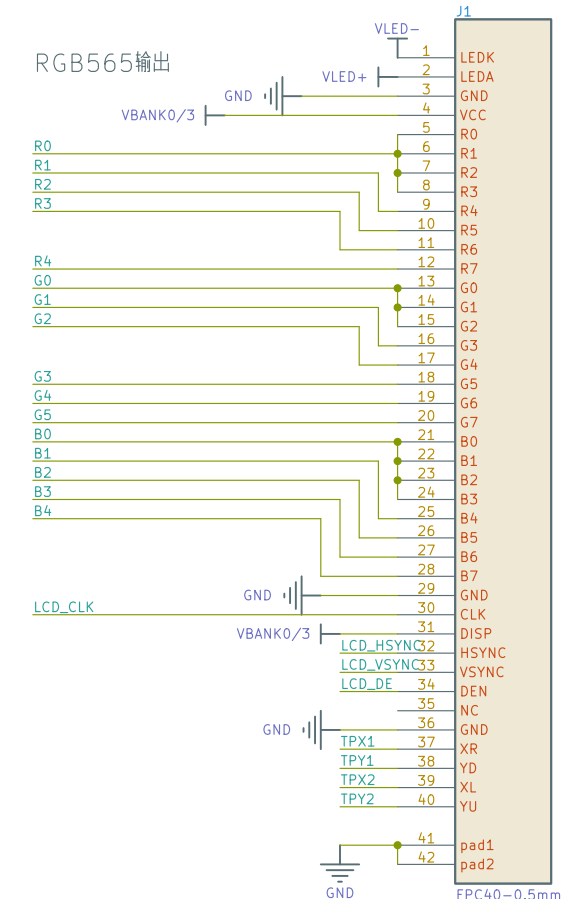
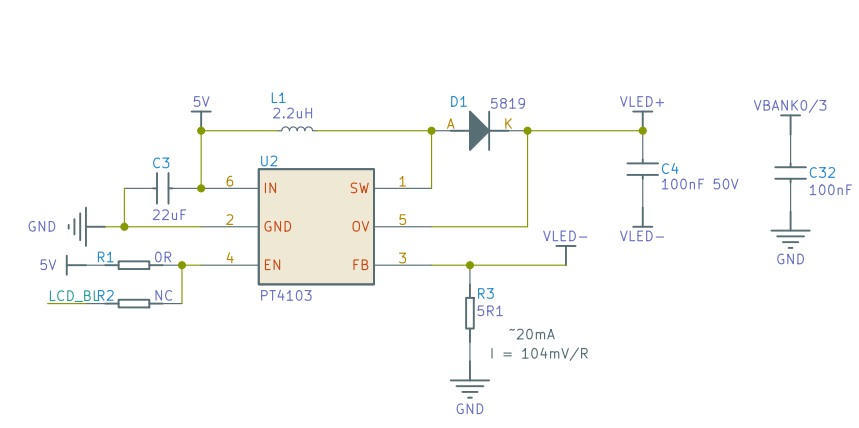
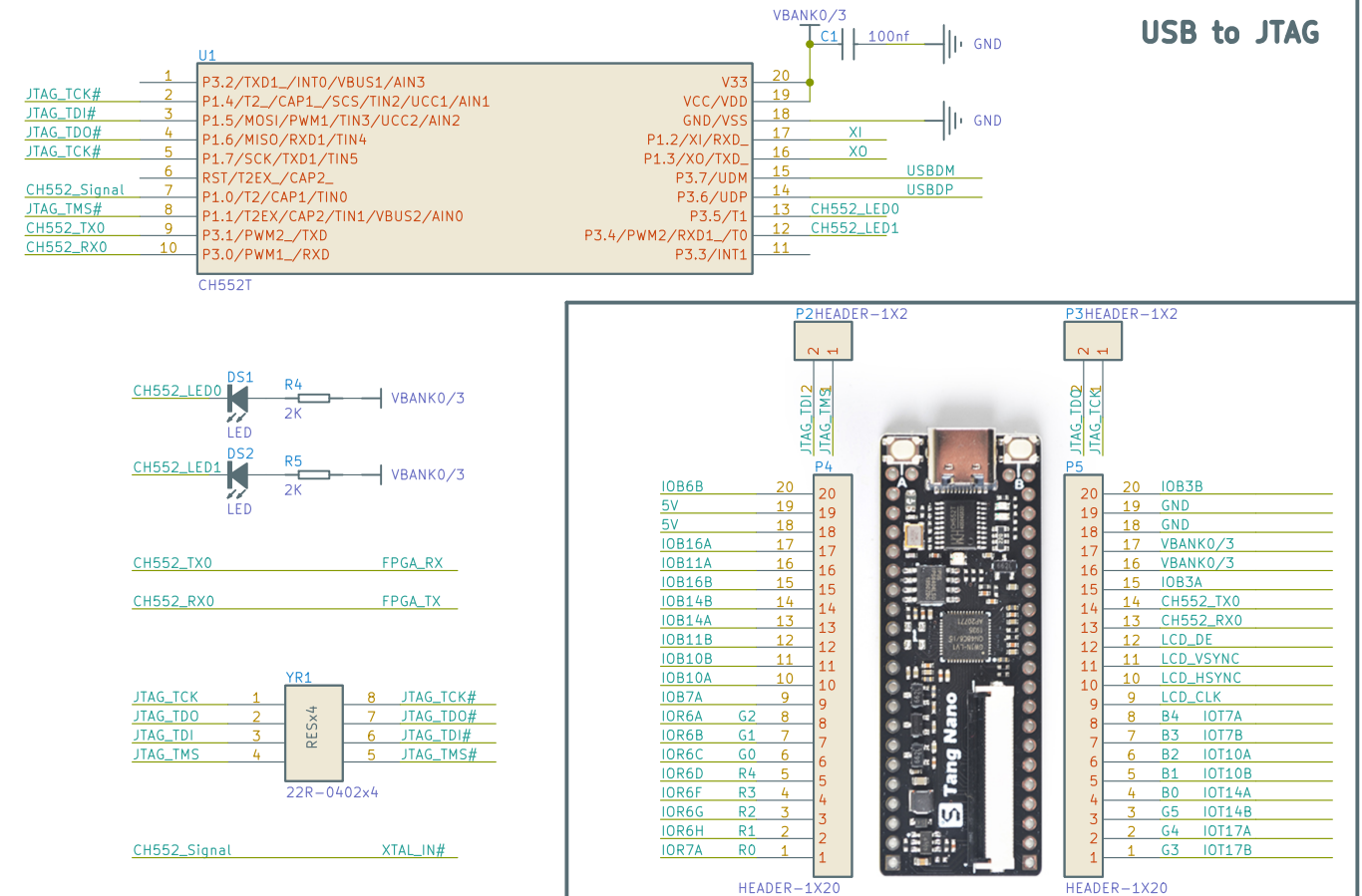
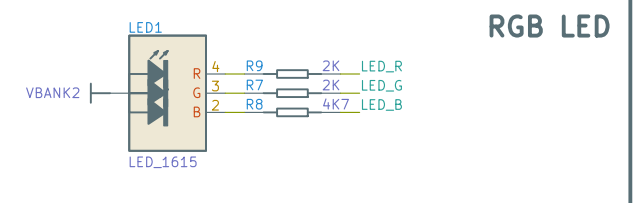


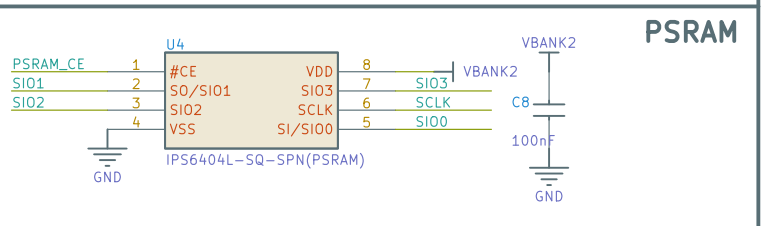
USB to JTAG



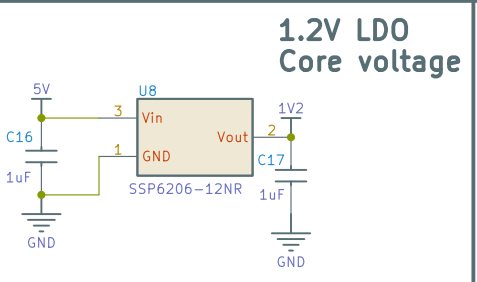
RGB LED



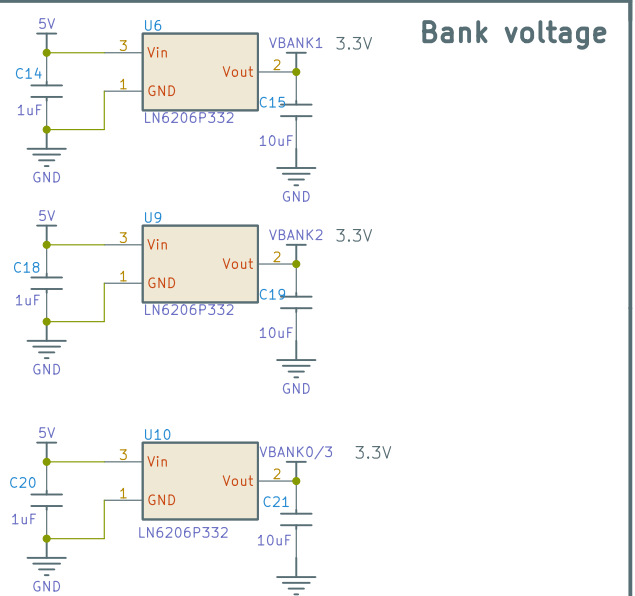
PSRAM



1.2V LDO Core voltage



Bank voltage



USB TYPE-C

